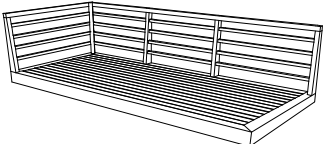
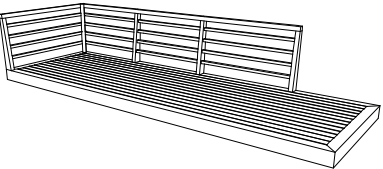




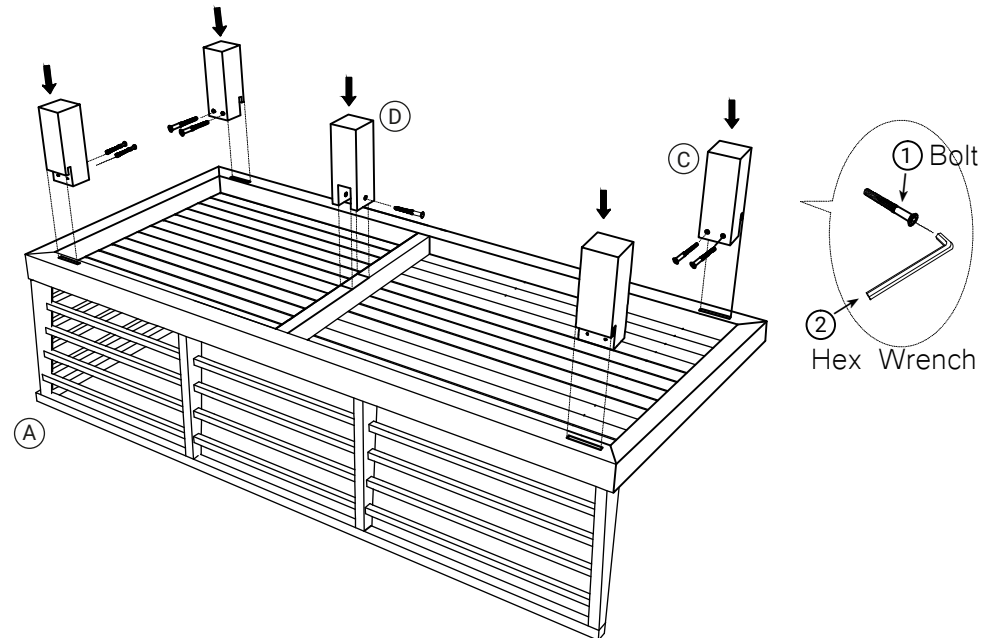


- Read all the explanations before assembling.
- Do not throw away the packing material before the assembling process is done.
- Assembly by two or more adults is recommended.

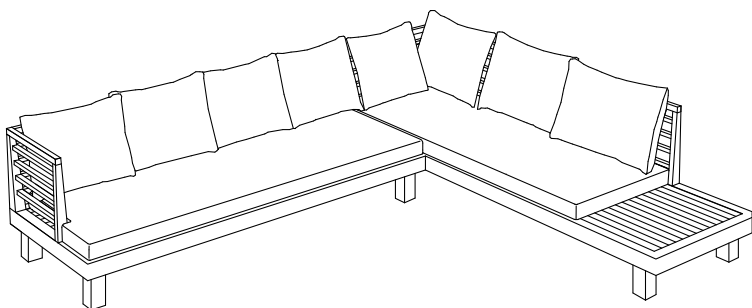
COMPONENTS AND PARTS LIST		Quantity
(A)	Frame 	x 1
(B)	Long frame 	x 1
(C)	Leg 	x 8
(D)	Central leg 	x 2
(1)	Bolt 	x 20
(2)	Hex Wrench 	x 1

### HOW TO ASSEMBLY

- 1 Place the frame (A) upside down as shown in picture.  
Place and match the legs (C) and the central leg (D) to the internal thread of the frame (A)  
Use the hex wrench (2) to tighten the bolts (1)



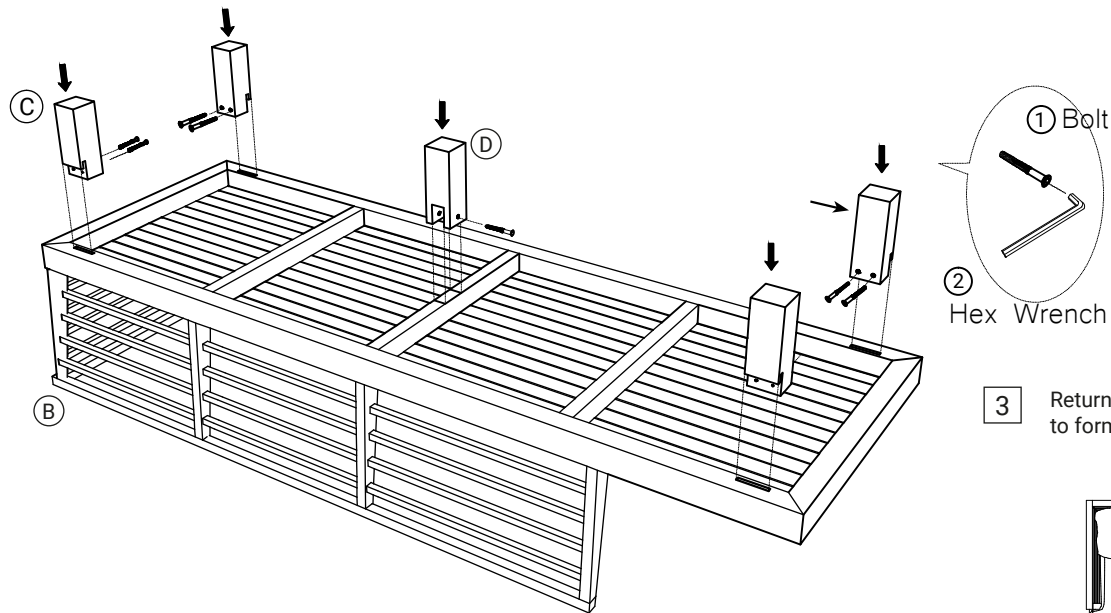
### Complete Assembly Picture



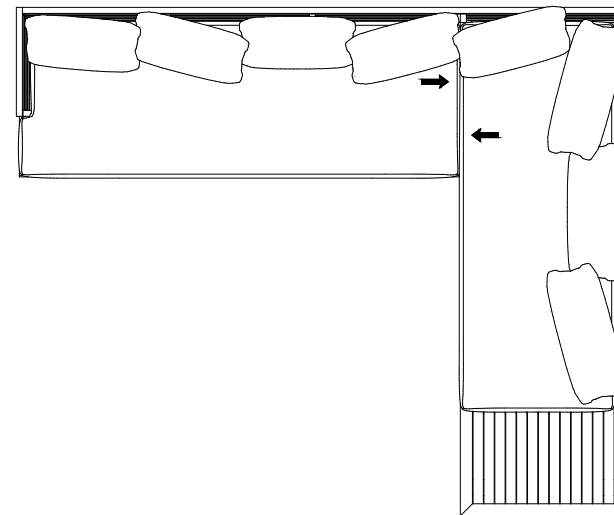
- When placing the body on the floor for the assembly, make sure that there is nothing on the floor.  
Spread out some papers (e.g. newspaper) for covering the floor to avoid scratches on the surface of the body.
- There is a possibility of accident and damage if you raise the product by the edge of the leg as center point, so please lift and then raise it up.
- When moving the product, please lift and move it without pulling.
- Because the product is quite heavy, please be careful when raising or moving the product

- Read all the explanations before assembling.
- Do not throw away the packing material before the assembling process is done.
- Assembly by two or more adults is recommended.

- 2** Place the long frame (B) upside down as shown in picture.  
Place and match the legs (C) and the central leg (D) to the internal thread of the frame (B)  
Use the hex wrench (2) to tighten the bolts (1)



- 3** Return the pieces to their upright position and place the modules perpendicularly to form the corner. Add the cushions.



- When placing the body on the floor for the assembly, make sure that there is nothing on the floor. Spread out some papers (e.g. newspaper) for covering the floor to avoid scratches on the surface of the body.
- There is a possibility of accident and damage if you raise the product by the edge of the leg as center point, so please lift and then raise it up.
- When moving the product, please lift and move it without pulling.
- Because the product is quite heavy, please be careful when raising or moving the product